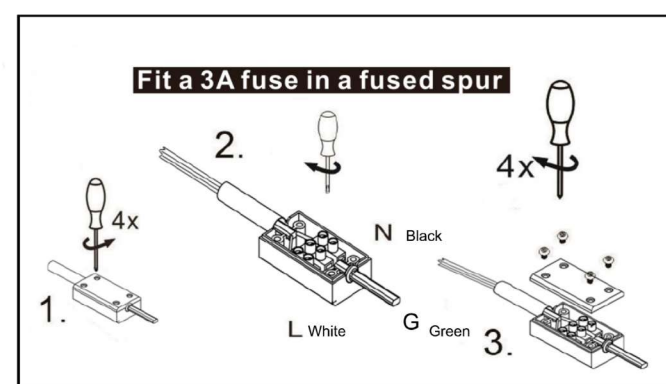
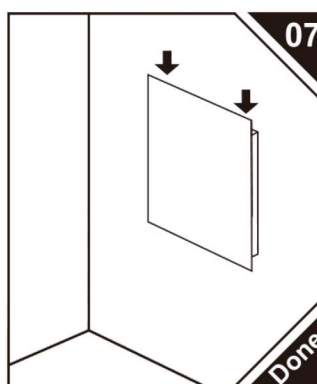
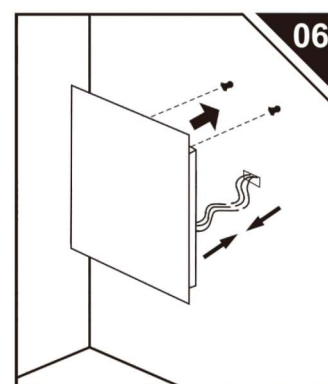
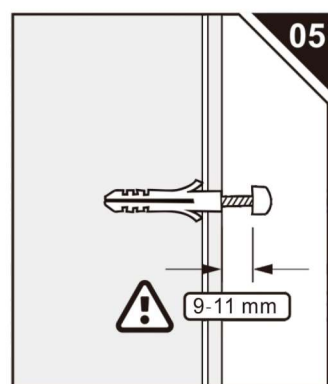
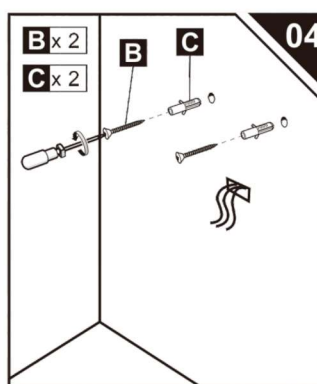
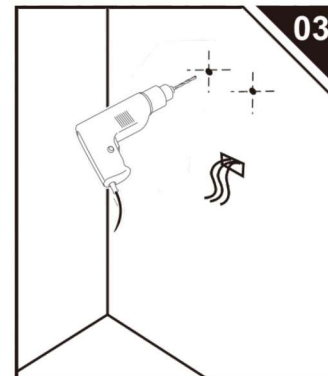
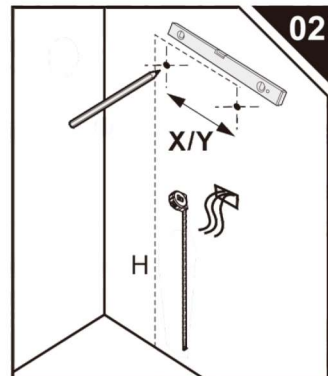
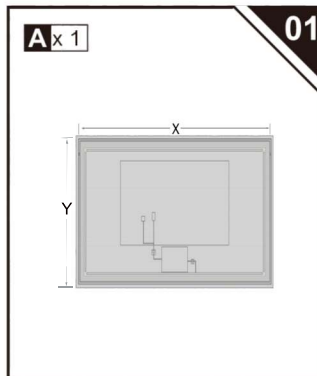
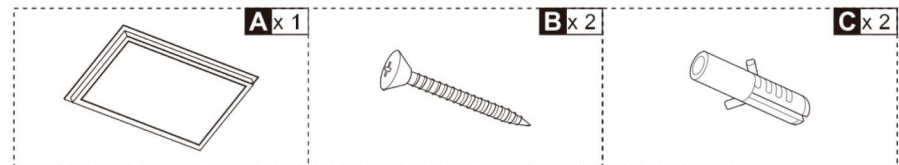


Tools Recommended

ASSEMBLY INSTRUCTION

PART LIST



Done